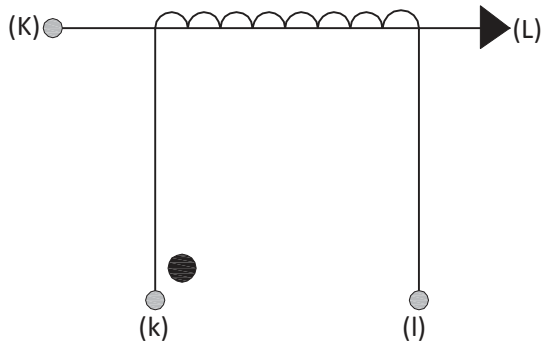


Product Type	Current Transformer
Amgis Part Number	CX-1500

SCHEMATIC:

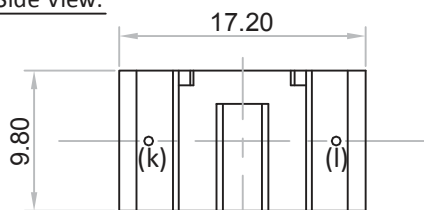


ELECTRICAL SPECIFICATION:

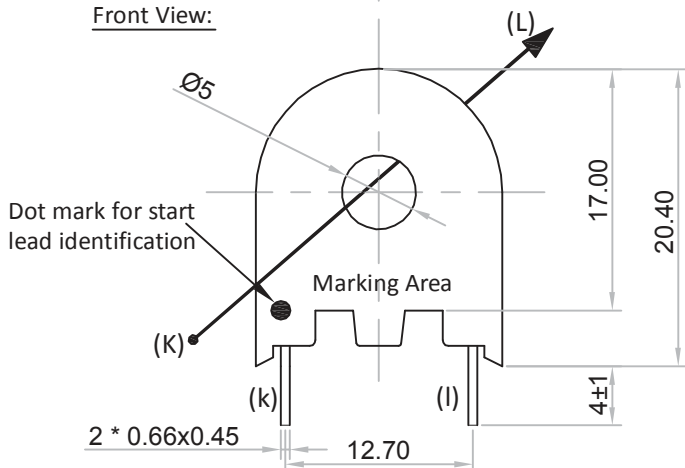
Rated input current	= 15Amps
Operating Frequency	= 50 / 60 Hz
Turns Ratio	= 1 : 1500
DC Resistance	= 117 Ω @ 20°C
Primary to Secondary Isolation	= 2500VAC
Operating Temperature	= -40°C to +120°C
Ambient Temperature	= 60ta

MECHANICAL SPECIFICATION:

Pin Side View:



Front View:



All dimensions are in mm  
Linear dimensional tolerance ±0.2mm

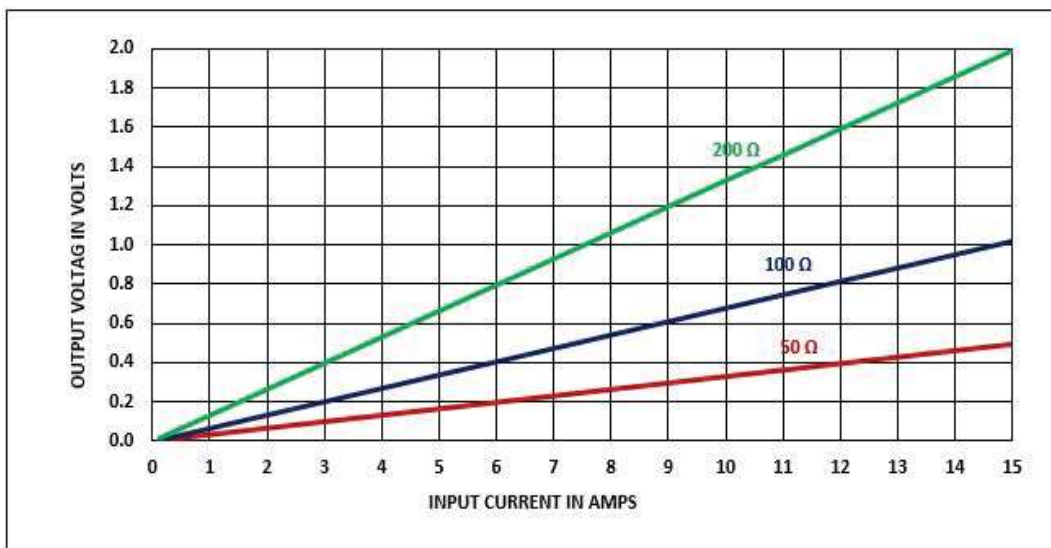
MARKING INFORMATION:

Amgis  
CX-1500  
Yr/Wk code

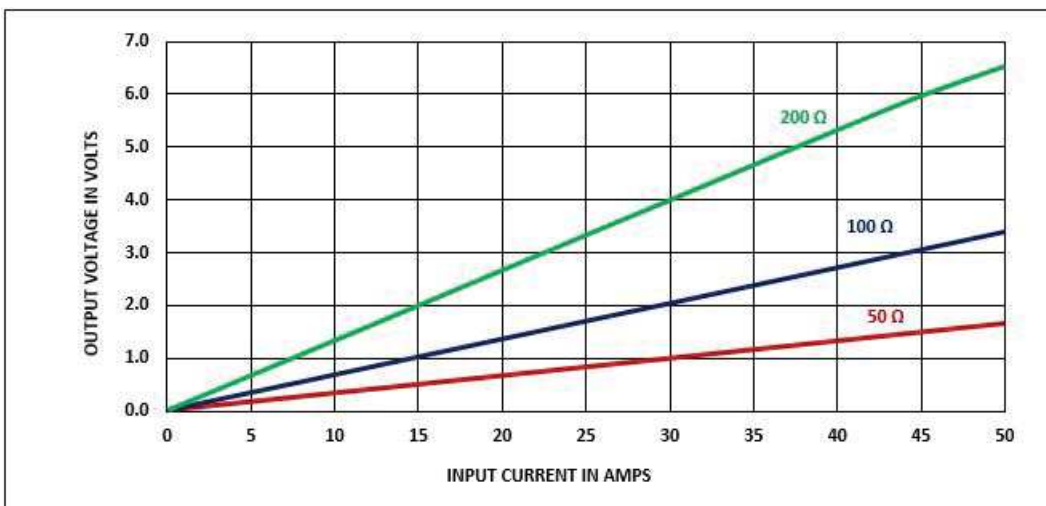
TRAFO WEIGHT:

Approx. Weight = 0.015 kg / pc

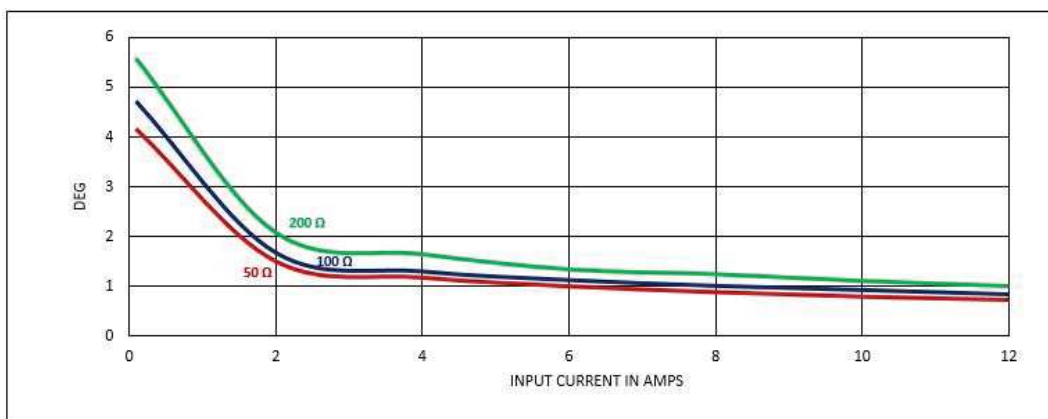
OUTPUT RESPONSE vs INPUT CURRENT @ RATED BURDEN:



SATURATION CURRENT RESPONSE @ RATED BURDEN:



PHASE ANGLE RESPONSE vs INPUT CURRENT @ RATED BURDEN:



-----Initial Issue-----	1	0	K.Shanmugam	12-Nov'2015
Changes	Issue	Rev	Initial	Date