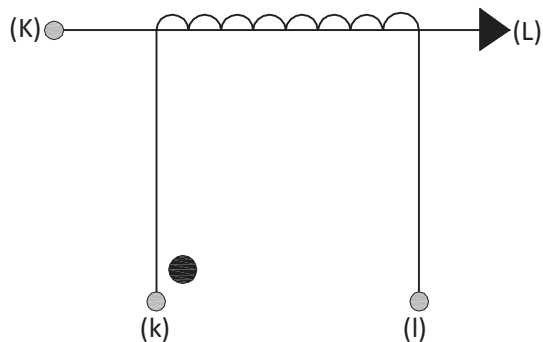


Product Type	Current Transformer
Amgis Part Number	CX-1000

SCHEMATIC:

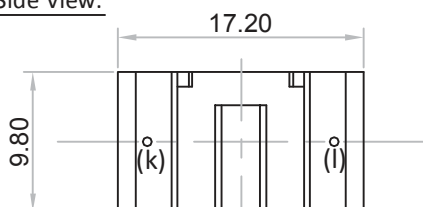


ELECTRICAL SPECIFICATION:

Rated input current	= 10Amps
Operating Frequency	= 50 / 60 Hz
Turns Ratio	= 1 : 1000
DC Resistance	= 109 Ω @ 20°C
Primary to Secondary Isolation	= 2500VAC
Operating Temperature	= -40°C to +120°C
Ambient Temperature	= 60ta

MECHANICAL SPECIFICATION:

Pin Side View:



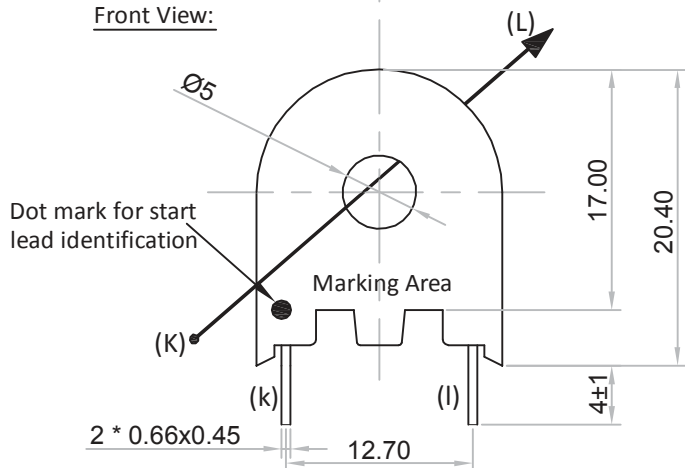
MARKING INFORMATION:

Amgis
CX-1000
Yr/Wk code

TRAFO WEIGHT:

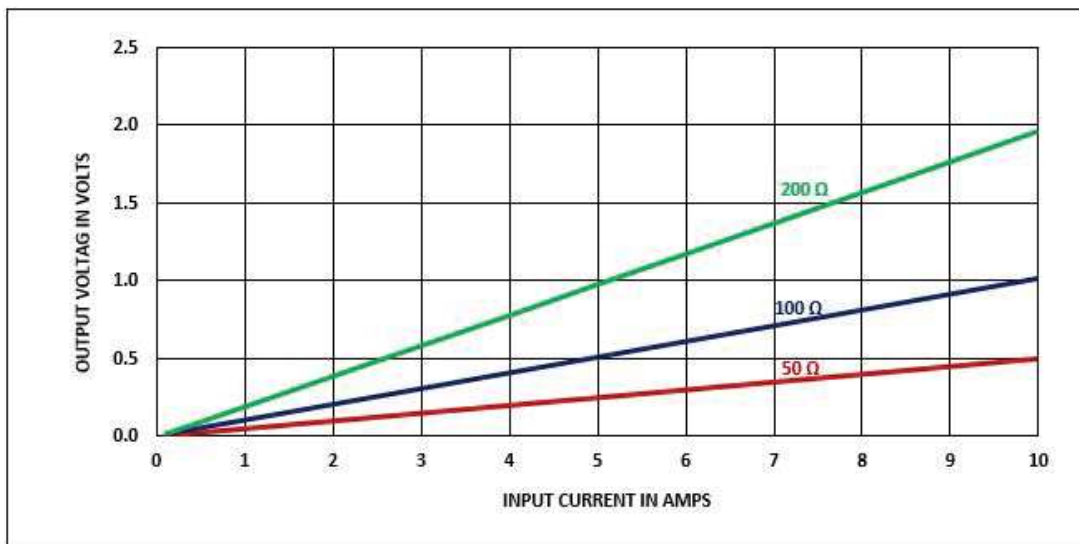
Approx. Weight = 0.014 kg / pc

Front View:

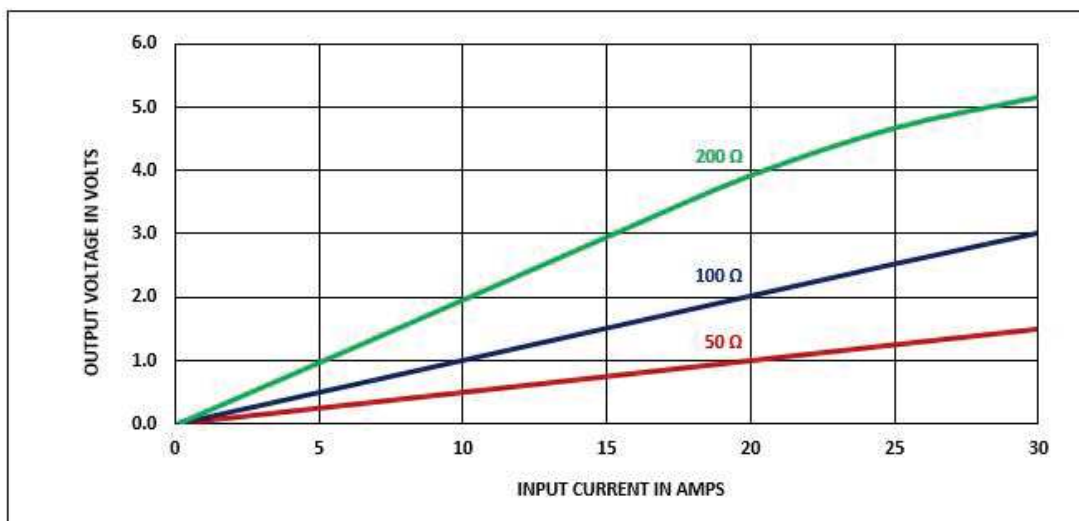


All dimensions are in mm
Linear dimensional tolerance ±0.2mm

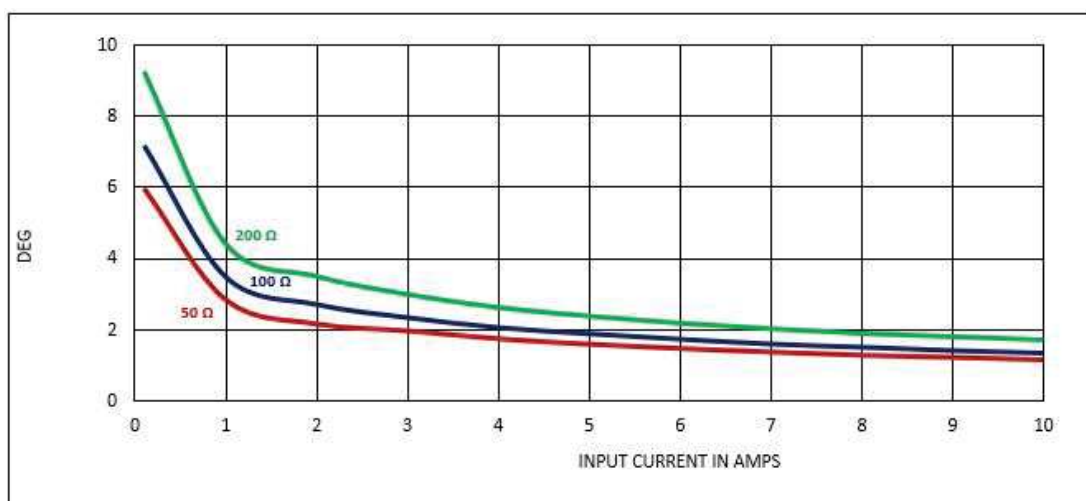
OUTPUT RESPONSE vs INPUT CURRENT @ RATED BURDEN:



SATURATION CURRENT RESPONSE @ RATED BURDEN:



PHASE ANGLE RESPONSE vs INPUT CURRENT @ RATED BURDEN:



-----Initial Issue-----	1	0	K.Shanmugam	12-Nov'2015
Changes	Issue	Rev	Initial	Date