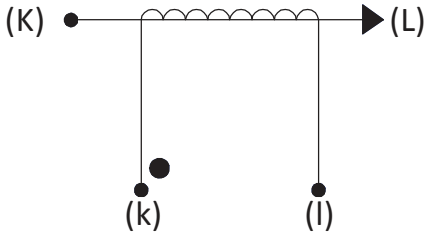


Product Type	Current Transformer
Amgis Part Number	CP-2000

SCHEMATIC:



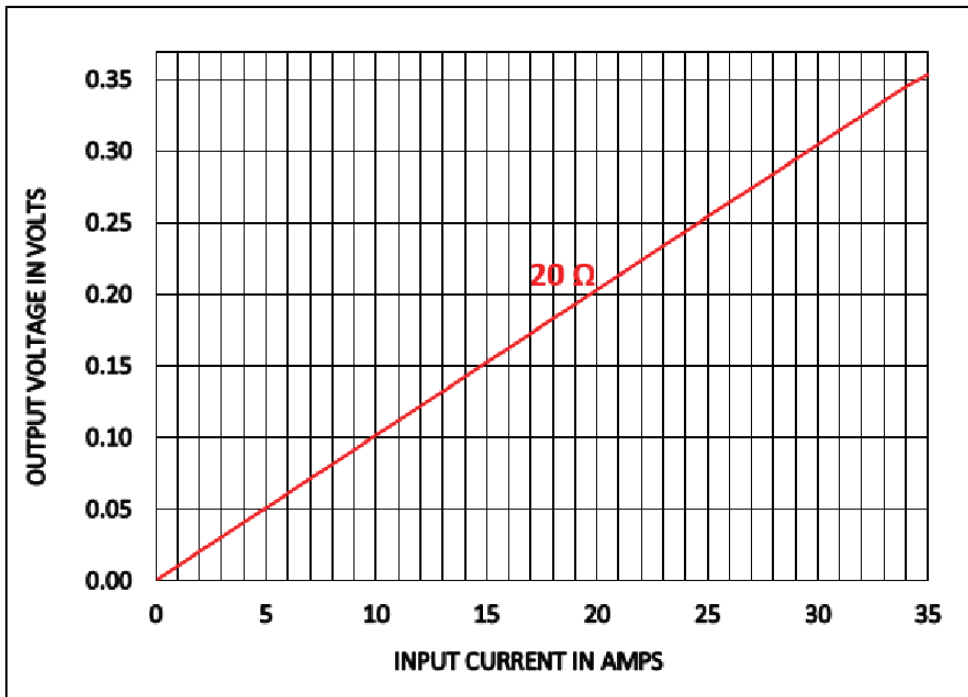
ELECTRICAL SPECIFICATION:

- Rated Input Current = 15A
- Maximum Input Current = 25A
- Primary to Secondary Isolation = 2500V
- Operating Frequency = 50 / 60 Hz
- Turns Ratio = 1:2000
- DC Resistance @ 25°C = 235Ω Max
- Operating Temperature Range = -40°C to +85°C
- Ambient Temperature = 60ta

- Output Voltage (Us) = 0.15V ± 0.2% (typ.) @ 15A / 20Ω

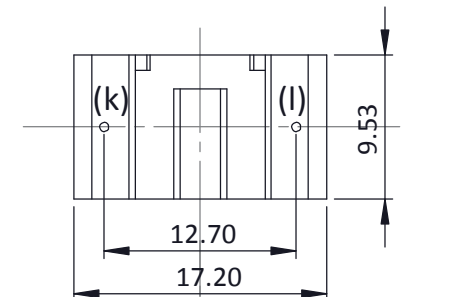


OUTPUT RESPONSE vs INPUT CURRENT @ RATED BURDEN

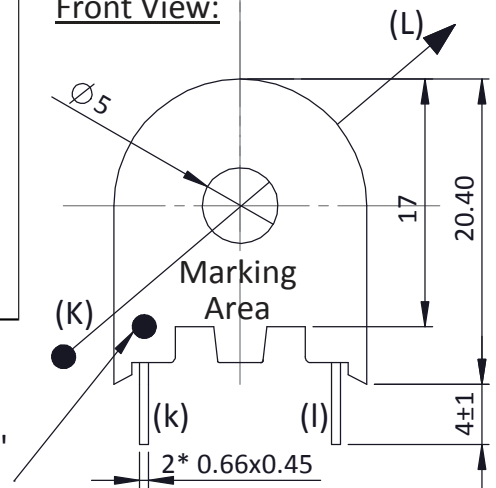


MECHANICAL SPECIFICATION:

Bottom (Pin Side) View:



Front View:



MARKING INFORMATION:

Amgis
CP-2000
YR/WK code

Dot Mark for "START"
lead identification

TRAFO. WEIGHT:

Approximate trafo. weight = ~ 8 grams

All Dimensions are in mm
Dimensional Tolerance ±0.2mm

----- Initial Issue -----	1	0	K.Shanmugam	02-Nov'15
Changes	Issue	Rev	Initial	Date