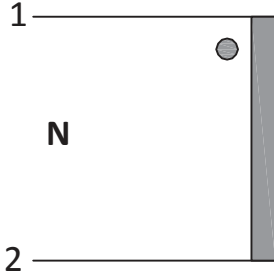


Product Type	Current Transformer
Amgis Part Number	CCX-1150

SCHEMATIC:

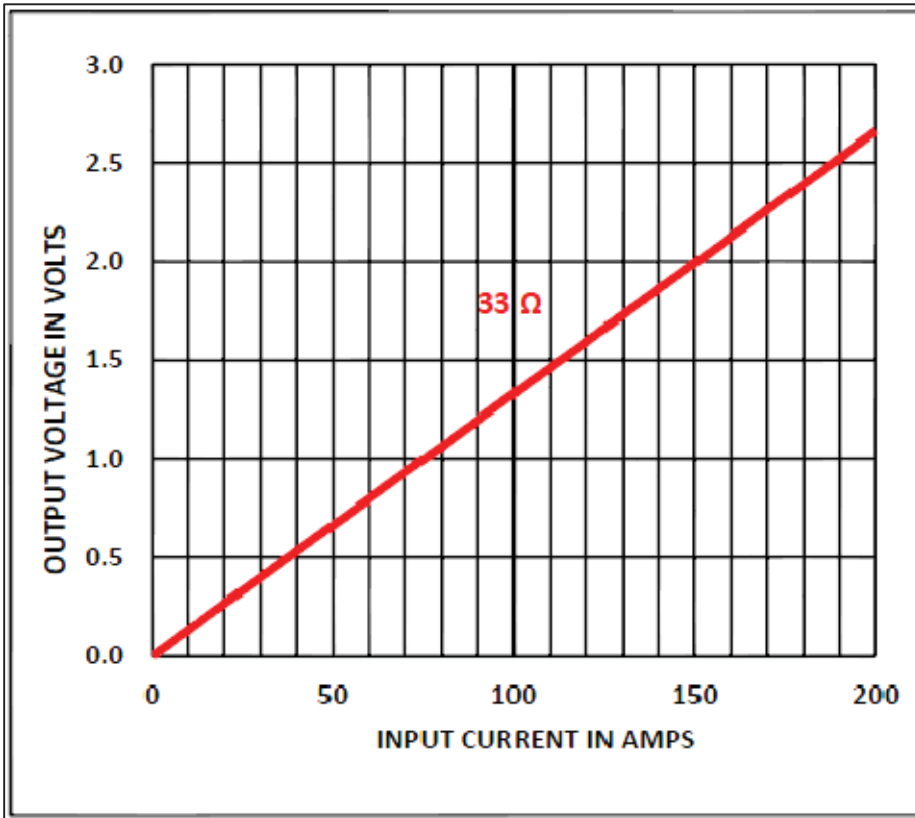


ELECTRICAL SPECIFICATION:

Rated input current	= 150Amps
Accuracy	= Class 1
Operating Frequency	= 50 / 60Hz
Turns Ratio	= 1 : 2500
DC Resistance	= 135 Ω
Primary to Secondary Isolation	= 4000VAC
Operating Temperature	= -40°C to +85°C
Output Voltage	= 1.98±1% @33 Ω

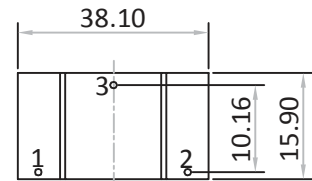


OUTPUT RESPONSE Vs INPUT CURRENT @ RATED BURDEN: :

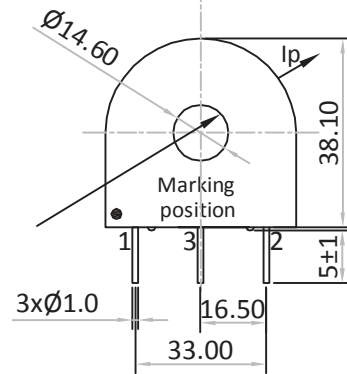


MECHANICAL DIMENSIONS:

Pin Side View:



Front View:



Note : Pin#3 → Un-used Pin

All dimensions are in mm
Linear dimensional tolerance ±0.2mm

MARKING INFORMATION:

Amgis
CCX-1150
Yr/Wk code

TRAFO WEIGHT:

Approx. Weight = 0.090 kg / pc

-----Initial Issue-----	1	0	Shanmugam. K	12-Nov'2015
Changes	Issue	Rev	Initial	Date