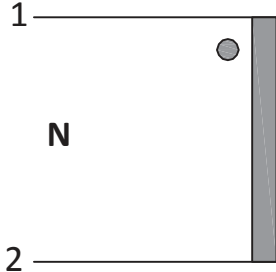


| | |
|-------------------|---------------------|
| Product Type | Current Transformer |
| Amgis Part Number | CCX-1075 |
| | |

SCHMATIC:

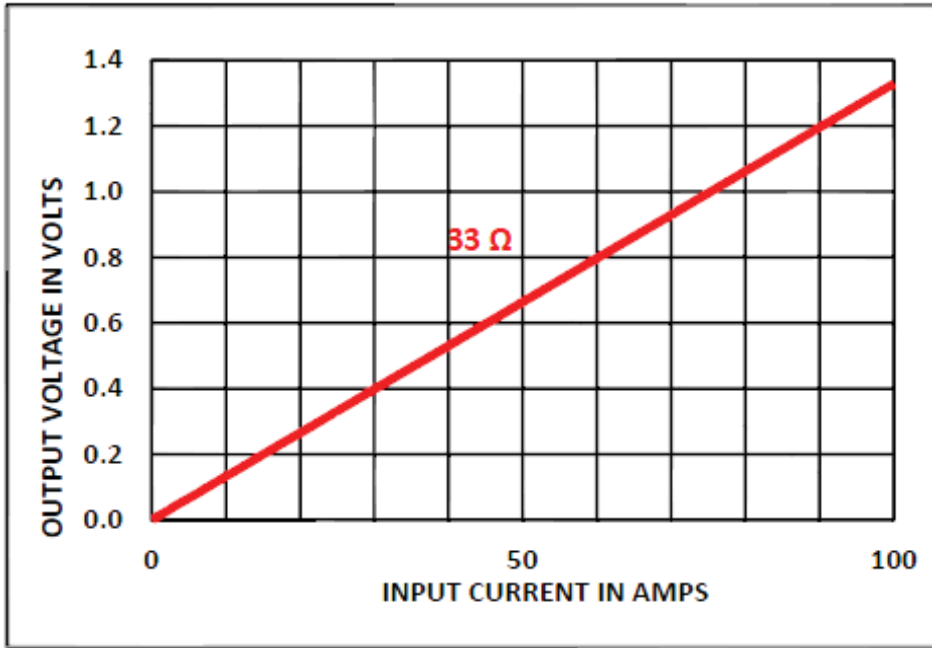


ELECTRICAL SPECIFICATION:

| | |
|--------------------------------|-------------------|
| Rated input current | = 75Amps |
| Accuracy | = Class 1 |
| Operating Frequency | = 50 / 60 Hz |
| Turns Ratio | = 1 : 2500 |
| DC Resistance | = 218 Ω |
| Primary to Secondary Isolation | = 4000VAC |
| Operating Temperature | = -40°C to +85°C |
| Output Voltage | = 0.99V ±1% @ 33Ω |

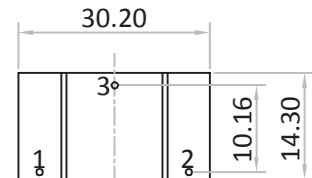


OUTPUT RESPONSE vs INPUT CURRENT @ RATED BURDEN:

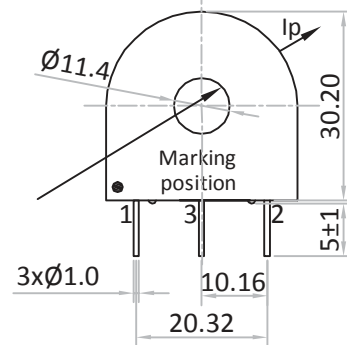


MECHANICAL SPECIFICATION:

Pin Side View:



Front View:



Note : Pin#3 → Un-used Pin

MARKING INFORMATION:

Amgis
CCX-1075
Yr/Wk code

TRAFO WEIGHT:

Approx. Weight = 0.031 kg / pc

All dimensions are in mm
Linear dimensional tolerance ±0.2mm

| | | | | |
|-------------------------|-------|-----|-------------|-------------|
| -----Initial Issue----- | 1 | 0 | K.Shanmugam | 12-Nov'2015 |
| Changes | Issue | Rev | Initial | Date |