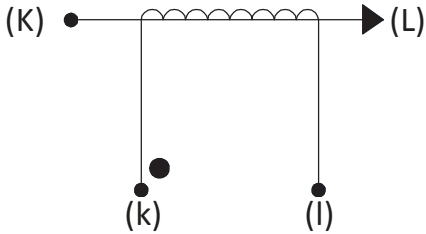


Product Type	Current Transformer
Amgis Part Number	CP-1500

SCHEMATIC:



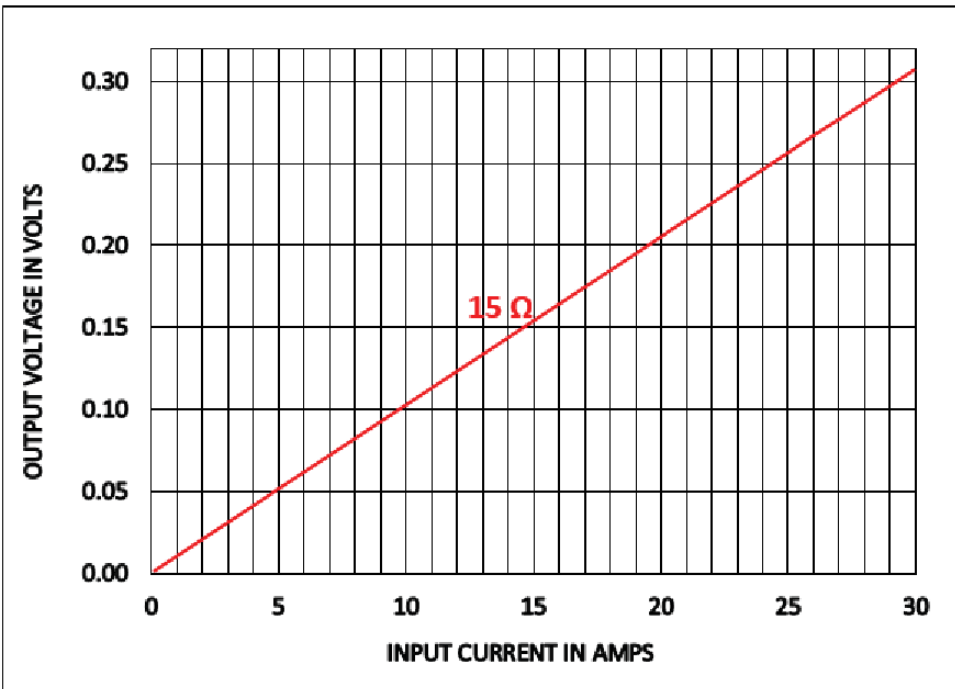
ELECTRICAL SPECIFICATION:

- Rated Input Current = 10A
- Maximum Input Current = 20A
- Primary to Secondary Isolation = 2500V
- Operating Frequency = 50 / 60 Hz
- Turns Ratio = 1:1500
- DC Resistance @ 25°C = 120Ω Max
- Operating Temperature Range = -40°C to +85°C
- Ambient Temperature = 60ta

- Output Voltage (Us) = 0.1V ± 0.2% (typ.) @ 10A / 15Ω



OUTPUT RESPONSE vs INPUT CURRENT @ RATED BURDEN



MARKING INFORMATION:

Amgis
CP-1500
YR/WK code

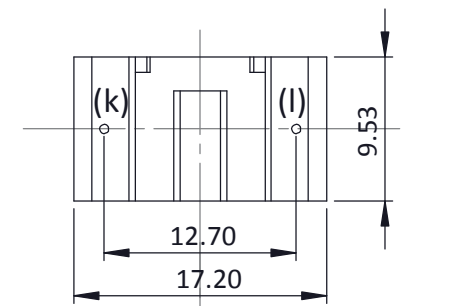
TRAFO. WEIGHT:

Approximate trafo. weight = ~ 8 grams

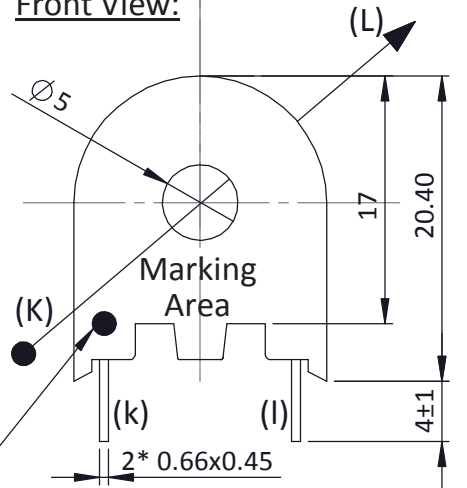
Dot Mark for "START" lead identification

MECHANICAL SPECIFICATION:

Bottom (Pin Side) View:



Front View:



All Dimensions are in mm
Dimensional Tolerance ±0.2mm

----- Initial Issue -----	1	0	K.Shanmugam	02-Nov'15
Changes	Issue	Rev	Initial	Date