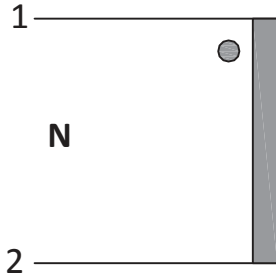


Product Type	Current Transformer
Amgis Part Number	CCX-1100

SCHMATIC:

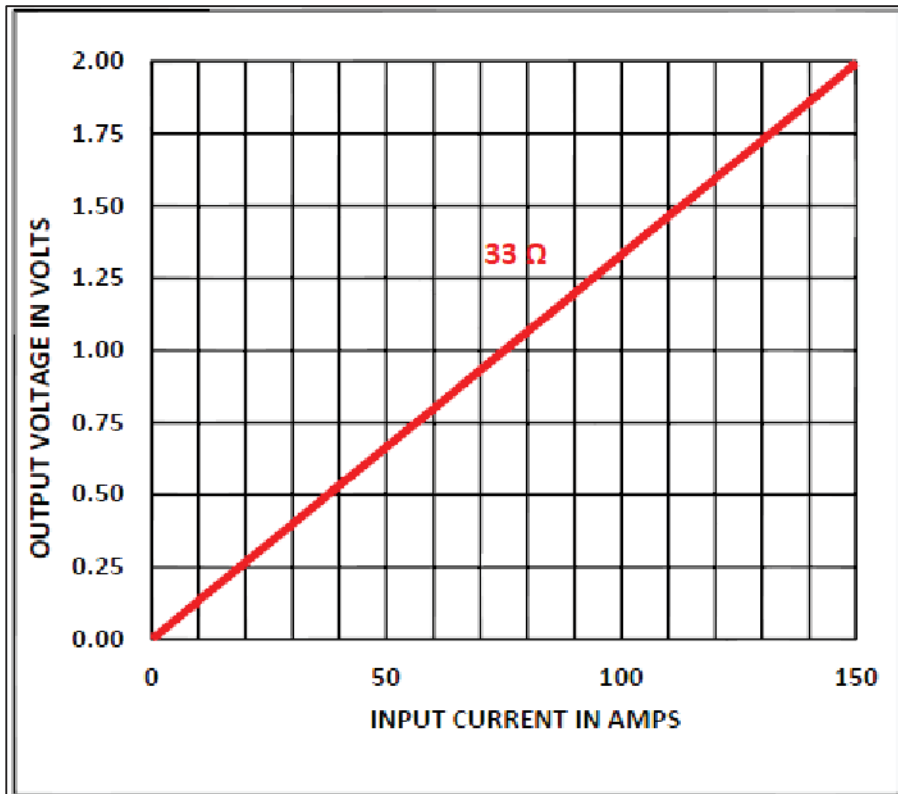


ELECTRICAL SPECIFICATION:

Rated input current	= 100Amps
Accuracy	= Class 1
Operating Frequency	= 50 / 60Hz
Turns Ratio	= 1 : 2500
DC Resistance	= 160 Ω
Primary to Secondary Isolation	= 4000VAC
Operating Temperature	= -40°C to +85°C
Output Voltage	= 1.32±1% @33 Ω

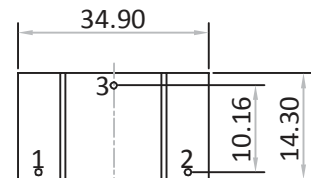


OUTPUT RESPONSE Vs INPUT CURRENT @ RATED BURDEN :

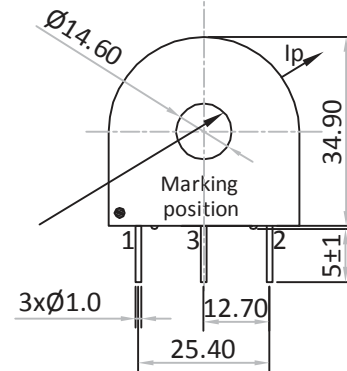


MECHANICAL SPECIFICATION:

Pin Side View:



Front View:



Note : Pin#3 → Un-used Pin

MARKING INFORMATION:

Amgis
CCX-1100
Yr/Wk code

TRAFO WEIGHT:

Approx. Weight = 0.070 kg / pc

All dimensions are in mm
Linear dimensional tolerance ±0.2mm

-----Initial Issue-----	1	0	Shanmugam. K	12-Nov'2015
Changes	Issue	Rev	Initial	Date