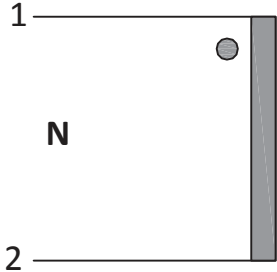


Product Type	Current Transformer
Amgis Part Number	CCX-1050

SCHMATIC:

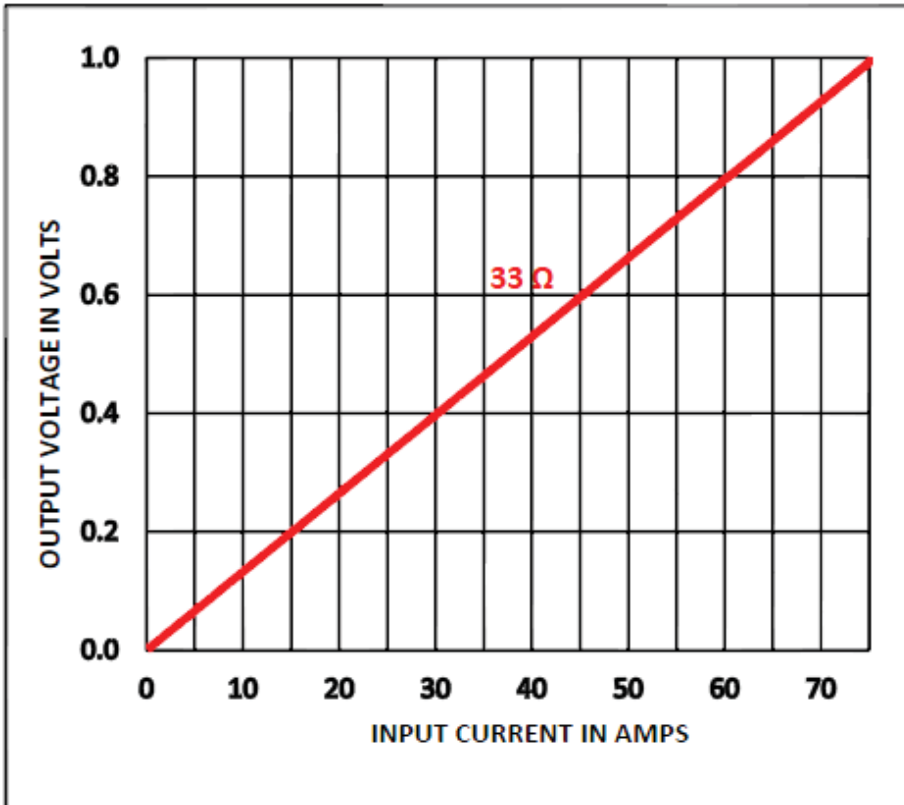


ELECTRICAL SPECIFICATION:

Rated input current	= 50Amps
Accuracy	= Class 1
Operating Frequency	= 50 / 60 Hz
Turns Ratio	= 1 : 2500
DC Resistance	= 157 Ω
Primary to Secondary Isolation	= 4000VAC
Operating Temperature	= -40°C to +85°C
Output Voltage	= 0.66V ±1% @ 33Ω

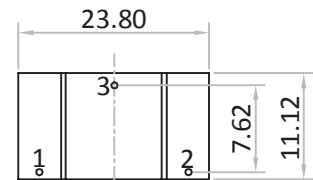


OUTPUT RESPONSE vs INPUT CURRENT @ RATED BURDEN:

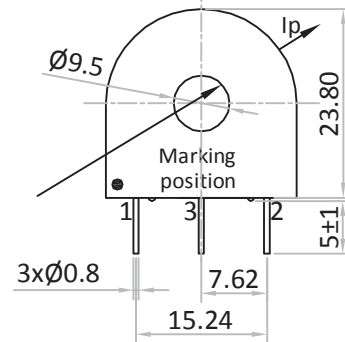


MECHANICAL SPECIFICATION:

Pin Side View:



Front View:



Note : Pin#3 → Un-used Pin

All dimensions are in mm
Linear dimensional tolerance ±0.2mm

MARKING INFORMATION:

Amgis
CCX-1050
Yr/Wk code

TRAFO WEIGHT:

Approx. Weight = 0.031 kg / pc

-----Initial Issue-----	1	0	K.Shanmugam	12-Nov'2015
Changes	Issue	Rev	Initial	Date